

5.1.A(3)PAV

Our EPD Group 1 - Garda Range for Floor & Wall comes in hundreds of different designs, colours, slip ratings and finishes. Much of the range is accredited to rigorous eco-friendly standards (including LEED/BREEAM etc) to help specifiers meet the sustainability goals of their clients.

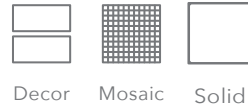


Grip

Properties



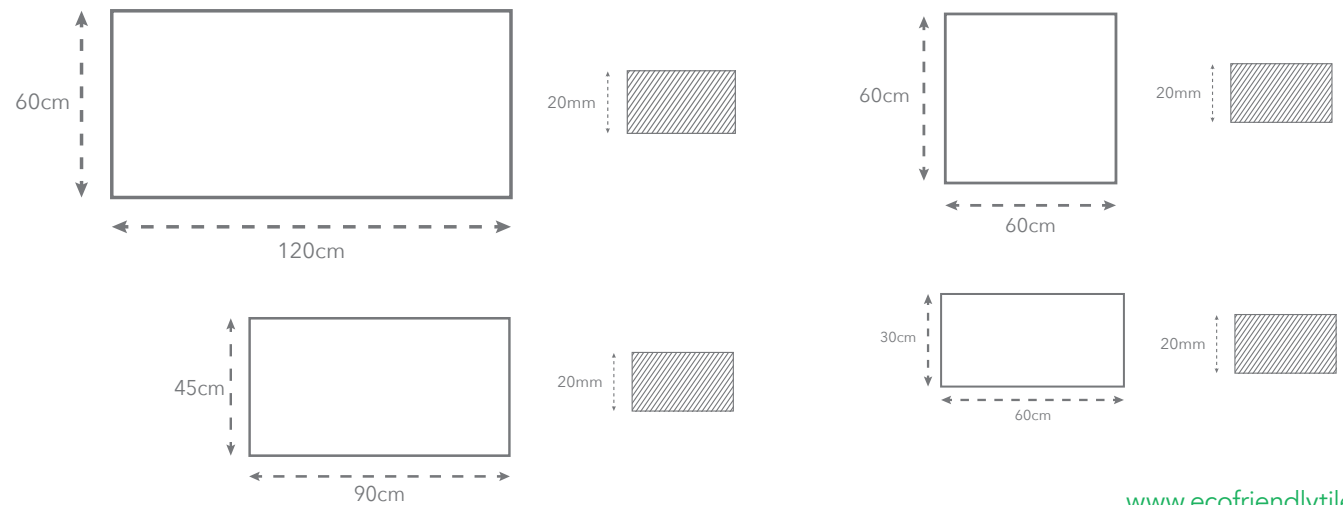
Other formats available



Other finishes available



Sizes available



MOBILE SAMPLE LIBRARY REFERENCE



Stone Look Paver
High Slip
EPD Group 1 - Garda Range

www.ecofriendlytiles.co.uk



ECO FRIENDLY TILES®
The planet, covered

Eco Friendly Tiles Ltd
Ground Floor, Solon House
40a Peterborough Road
London
SW6 3BN
0844 980 2233
info@ecofriendlytiles.co.uk

Technical Specification

Code: 5.1.A(3)PAV



Eco Friendly Tiles Ltd
 Ground Floor, Solon House
 40a Peterborough Road
 London
 SW6 3BN
 0844 980 2233
 info@ecofriendlytiles.co.uk
www.ecofriendlytiles.co.uk

| Physical & chemical properties | Norm/test method | Required Standard | Results |
|---|-------------------------|--------------------------|---------------------------------------|
| Thickness | EN ISO 10545-2 | ± 5.0% / ± 0.5mm | Conforms |
| Straightness of sides | IEN ISO 10545-2 | ± 0.5% / ± 1.5mm | Conforms |
| Rectangularity | EN ISO 10545-2 | ± 0.6% / ± 2.0mm | Conforms |
| Surface Flatness | EN ISO 10545-2 | ± 0.5% / ± 2.0mm | Conforms |
| Water absorption | EN ISO 10545-3 | ≤ 0.5% | ≤ 0.05% |
| Flexion Resistance | EN ISO 10545-4 | R ≥ 35 N/mm ² | R ≥ 50 N/mm ² |
| Abrasion Resistance | EN ISO 10545-6 | ≤ 175mm ³ | 135mm ³ |
| Coefficient of Linear thermal Expansion | EN ISO 10545-8 | - | a=7x10 ⁻⁶ °C ⁻¹ |
| Frost Resistance | EN ISO 10545-12 | - | Resistant |
| Resistance to Chemicals | EN ISO 10545-13 | UB Min | Resistant |
| Slip Resistance | DIN 51130 | - | R11 |
| | BS 7976-2:2002 Pendulum | - | |

Certifications



This technical information sheet is not a guarantee of performance and is not a warranty, either explicit or implicit. Rather, it tries to summarize for the designer, installer or developer the technical data provided to Eco Friendly Tiles by the independent tile manufacturer. This information may not be applicable in all geographical areas. It is the responsibility of those individuals who are referring to this document to independently research and determine which tiles are suitable for a given project according to applicable British or International Standards and any governing legislative requirements. This document cannot be used as expert opinion, evidence or in any legal or administrative procedure unless authorized by Eco Friendly Tiles Ltd.