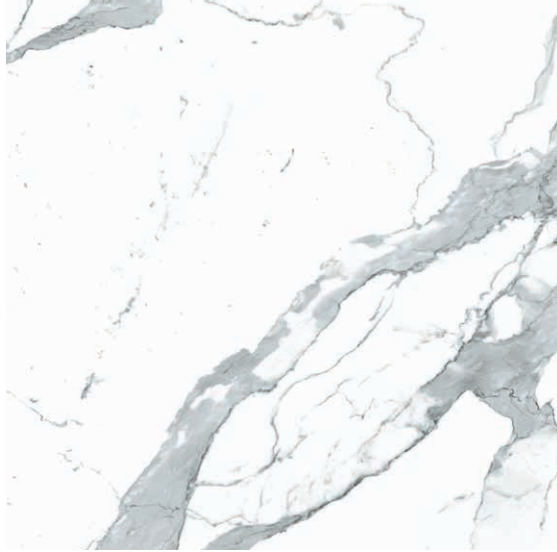


# VS.30

Ultra-thin - from just 3.5mm - yet so strong it can be laid in 3m x 1m slabs on floors, walls or as an overlay. With low embodied carbon, up to 40% pre-consumer recycled content, flexible sizes and over one hundred colours and finishes, it's time to join the surface revolution. With a LEED and EPD certifications, it's a range perfectly in step with 21st century living.

To see the full range or download the Brochure, visit: [www.ecofriendlytiles.co.uk/eco/surface-brochure](http://www.ecofriendlytiles.co.uk/eco/surface-brochure)



## Natural

### Properties



Carbon Offset



Chemical Resistant



Frost Resistant



Thermal Shock Resistant



More Colours Available



PTV 36+  
5.6mm only



UP TO  
20%  
Recycled Content



Pre Consumer  
Recycled Content

### Other formats

### Other finishes



Polished

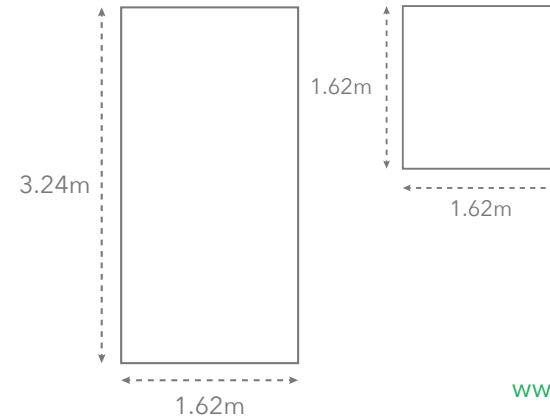
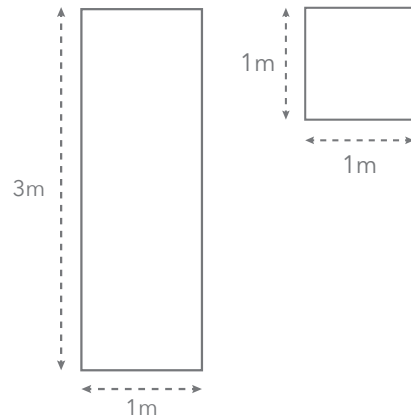
### Sizes available in

### Sizes available in

3.5mm †  Wall (with mesh)

5.6mm ‡  Floor / Wall / Overlay

6mm ‡  Floor / Wall / Overlay (with mesh)



FOR OFFICE USE ONLY



Marble Look  
Large Format  
BREEAM/LEED



Facade Code: 030 Statuario Marble  
[www.ecofriendlyfacades.co.uk](http://www.ecofriendlyfacades.co.uk)



ECO  
FRIENDLY  
TILES®  
*The planet, covered*

[www.ecofriendlytiles.co.uk](http://www.ecofriendlytiles.co.uk)

Eco Friendly Tiles Ltd  
Ground Floor, Solon House  
40a Peterborough Road  
London  
SW6 3BN

0844 980 2233  
[info@ecofriendlytiles.co.uk](mailto:info@ecofriendlytiles.co.uk)  
[ecofriendlytiles.co.uk](http://ecofriendlytiles.co.uk)

# Technical Specification

## Code: VS.30



Eco Friendly Tiles Limited  
Ground Floor, Solon House  
40a Peterborough Road  
London  
SW6 3BN  
0844 980 2233  
info@ecofriendlytiles.co.uk  
[www.ecofriendlytiles.co.uk](http://www.ecofriendlytiles.co.uk)

### Certifications



| Physical & chemical properties  | Norm/test method        | Shannon 3.5mm                        |
|---|-------------------------|--------------------------------------|
| Straightness of sides   | ISO 10545-2             | Max. deviation on the side +/- 0.5mm |
| Difference between diagonals  | Factory                 | Max. +/- 1.5mm                       |
| Weight  | Factory                 | Average value 8.2kg/m <sup>2</sup>   |
| Surface quality/% of tiles with no visible flaws                            | ISO 10545-2             | > 95%                                |
| Water absorption  | ISO 10545-3 / ASTM C373 | Average value 0.1%                   |
| Breaking strength in N (samples 200x300mm)                                  | ISO 10545-4             | Average value 700                    |
| Modulus of rupture in N/mm <sup>2</sup> (samples 200x300mm)                 | ISO 10454-4             | Average value 50                     |
| Resistance to deep abrasion   | ISO 10545-6             | ≤ 175mm <sup>3</sup>                 |
| Coefficient of linear thermal expansion / 10 <sup>-6</sup> / 0 <sup>c</sup> | ISO 10545-8             | Average value 6.6                    |
| Resistance to thermal shock   | ISO 10545-9             | Compliant                            |
| Resistance to freeze-thaw   | ISO 10545-12            | Compliant                            |
| Chemical resistance   | ISO 10545-13            | Class: from A to B                   |
| Stain resistance  | ISO 10545-14            | Class: from 4 to 5                   |
| Coefficient of friction   | DIN 51130               | R9                                   |
|   | BS 7976-2:2002 Pendulum | PTV 36+ (5.6mm only)                 |
| Fire reaction   | EN 13501 (rev. 2005)    | A2 - s1, d0                          |

# Technical Specification

## Code: VS.30



Eco Friendly Tiles Limited  
Ground Floor, Solon House  
40a Peterborough Road  
London  
SW6 3BN  
0844 980 2233  
info@ecofriendlytiles.co.uk  
[www.ecofriendlytiles.co.uk](http://www.ecofriendlytiles.co.uk)

### Certifications



| Physical & chemical properties  | Norm/test method        | Shannon 5.6mm                        |
|---|-------------------------|--------------------------------------|
| Length & Width (1000x3000 mm)   | ISO 10545-2             | Max. deviation on the side +/- 0.5mm |
| (1200x3000 mm)  | ISO 10545-2             | Minimum size: ≥ 1210x3050 mm         |
| (1620x3240 mm)  | ISO 10545-2             | Minimum size: ≥ 1630x3250 mm         |
| Difference between diagonals  | Factory                 | Max. +/- 1.5mm                       |
| Weight  | Factory                 | Average value 14.5kg/m <sup>2</sup>  |
| Surface quality/% of tiles with no visible flaws                            | ISO 10545-2             | > 95%                                |
| Water absorption  | ISO 10545-3             | Average Value ≤ 0.1%                 |
| Breaking strength in N (samples 1000x1000mm)                                | ISO 10545-4             | Average value 1100                   |
| Modulus of rupture in N/mm <sup>2</sup> (samples 1000x1000mm)               | ISO 10454-4             | Average value 50                     |
| Resistance to deep abrasion   | ISO 10545-6             | ≤ 175mm <sup>3</sup>                 |
| Coefficient of linear thermal expansion / 10 <sup>-6</sup> / 0 <sup>c</sup> | ISO 10545-8             | Average value 6.6                    |
| Resistance to thermal shock   | ISO 10545-9             | Compliant                            |
| Resistance to freeze-thaw   | ISO 10545-12            | Compliant                            |
| Chemical resistance   | ISO 10545-13            | Class: from A to B                   |
| Stain resistance  | ISO 10545-14            | Class: from 4 to 5                   |
| Coefficient of friction   | DIN 51130               | R9                                   |
|   | BS 7976-2:2002 Pendulum | PTV 36+ (5.6mm only)                 |
| Fire reaction   | EN 13501 (rev. 2005)    | A1 (decision 96/603/CE as amended)   |