

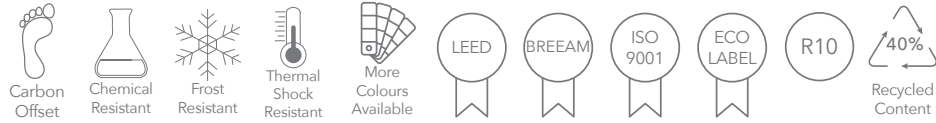
8.1.B(2)

Breathe easy. Alive with innovation, here's the crossing point between creativity and science. Its where low carbon meets lower emissions - LEED and BREEAM certifications throughout the range. Eco Friendly Tiles Jurong Range is a stunning way to add detail like wood and fabric looks to your project.

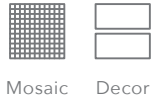


Natural

Properties



Other formats available



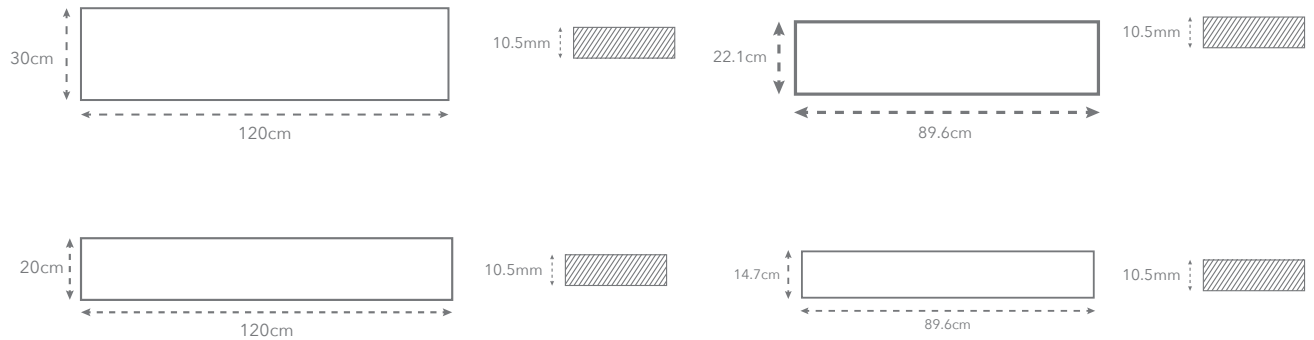
Mosaic Decor

Other finishes available



Grip

Sizes available



MOBILE SAMPLE LIBRARY REFERENCE



Wood Look
High Slip, BREEAM / LEED
Porcelain



ECO FRIENDLY TILES®
The planet, covered

Eco Friendly Tiles Ltd
Ground Floor, Solon House
40a Peterborough Road
London
SW6 3BN
0844 980 2233
info@ecofriendlytiles.co.uk
www.ecofriendlytiles.co.uk

Technical Specification

Code: 8.1.B(2)



Eco Friendly Tiles Ltd
 Ground Floor, Solon House
 40a Peterborough Road
 London
 SW6 3BN
 0844 980 2233
 info@ecofriendlytiles.co.uk
www.ecofriendlytiles.co.uk

Physical & chemical properties	Norm/test method	Required Standard	Results
Thickness	EN ISO 10545-2	± 5.0% / 2	Conforms
Straightness of sides	EN ISO 10545-2	± 0.5% / ± 1.5mm	Conforms
Corner Squareness	EN ISO 10545-2	± 0.6% / ± 2.0mm	Conforms
Flatness	EN ISO 10545-2	± 0.5% / ± 2.0mm	Conforms
Water absorption	EN ISO 10545-3	≤ 0.5%	Conforms
Flexion Resistance	EN ISO 10545-4	≥ 35 N/mm ²	Conforms
Impact resistance	EN ISO 10545-5	-	e > 0.80
Coefficient of Linear Thermal Expansion	EN ISO 10545-8	-	a ≤ 7,1 x 10 ⁻⁶ ° C ⁻¹
Resistance to Thermal Shocks	EN ISO 10545-9	-	Resistant
Frost Resistance	EN ISO 10545-12	-	Resistant
Resistance to Chemicals	EN ISO 10545-13	GLA-GHA	Conforms
Slip Resistance	DIN 51130	-	R10
	BS 7976-2:2002 Pendulum	-	-

Certifications



This technical information sheet is not a guarantee of performance and is not a warranty, either explicit or implicit. Rather, it tries to summarize for the designer, installer or developer the technical data provided to Eco Friendly Tiles by the independent tile manufacturer. This information may not be applicable in all geographical areas. It is the responsibility of those individuals who are referring to this document to independently research and determine which tiles are suitable for a given project according to applicable British or International Standards and any governing legislative requirements. This document cannot be used as expert opinion, evidence or in any legal or administrative procedure unless authorized by Eco Friendly Tiles Ltd.