

# VS.93

Ultra-thin - from just 3.5mm - yet so strong it can be laid in 3m x 1m slabs on floors, walls or as an overlay. With low embodied carbon, up to 40% pre-consumer recycled content, flexible sizes and over one hundred colours and finishes, it's time to join the surface revolution. With a LEED and EPD certifications, it's a range perfectly in step with 21st century living.

To see the full range or download the Brochure, visit: [www.ecofriendlytiles.co.uk/eco/surface-brochure](http://www.ecofriendlytiles.co.uk/eco/surface-brochure)



## Natural

### Properties



Carbon Offset



Chemical Resistant



Frost Resistant



Thermal Shock Resistant



More Colours Available



BREEAM



EPD



LEED



SKA



ISO 14001



R10



PTV 36+



UPTO 40% Recycled Content



Pre Consumer Recycled Content

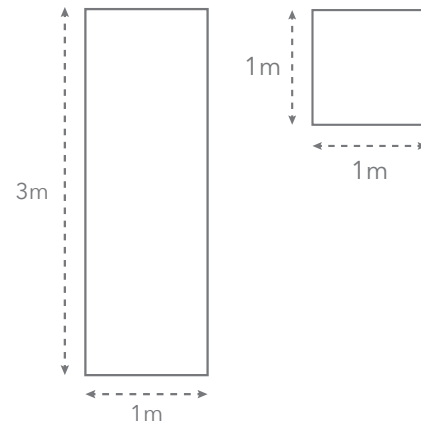
### Other formats

### Other finishes

### Sizes available in

3.5mm †  Wall (with mesh)

5.6mm ‡  Floor / Wall / Overlay (with mesh)



[www.ecofriendlytiles.co.uk](http://www.ecofriendlytiles.co.uk)

FOR OFFICE USE ONLY



Wood Look  
Large Format  
BREEAM/LEED



ECO FRIENDLY FACADES Facade Code:  
[www.ecofriendlyfacades.co.uk](http://www.ecofriendlyfacades.co.uk)



ECO FRIENDLY TILES®  
*The planet, covered*

Eco Friendly Tiles Ltd  
Ground Floor, Solon House  
40a Peterborough Road  
London  
SW6 3BN

0844 980 2233  
[info@ecofriendlytiles.co.uk](mailto:info@ecofriendlytiles.co.uk)  
[ecofriendlytiles.co.uk](http://ecofriendlytiles.co.uk)

# Technical Specification

## Code: VS.93



Eco Friendly Tiles Limited  
Ground Floor, Solon House  
40a Peterborough Road  
London  
SW6 3BN  
0844 980 2233  
info@ecofriendlytiles.co.uk  
[www.ecofriendlytiles.co.uk](http://www.ecofriendlytiles.co.uk)

### Certifications



Physical & chemical properties	Norm/test method	Shannon 5.6mm
Length & Width (1000x3000 mm)	ISO 10545-2	Max. deviation on the side +/- 0.5mm
(1200x3000 mm)	ISO 10545-2	Minimum size: ≥ 1210x3050 mm
(1620x3240 mm)	ISO 10545-2	Minimum size: ≥ 1630x3250 mm
Difference between diagonals	Factory	Max. +/- 1.5mm
Weight	Factory	Average value 14.5kg/m <sup>2</sup>
Surface quality/% of tiles with no visible flaws	ISO 10545-2	> 95%
Water absorption	ISO 10545-3	Average Value ≤ 0.1%
Breaking strength in N (samples 1000x1000mm)	ISO 10545-4	Average value 1100
Modulus of rupture in N/mm <sup>2</sup> (samples 1000x1000mm)	ISO 10454-4	Average value 50
Resistance to deep abrasion	ISO 10545-6	≤ 175mm <sup>3</sup>
Coefficient of linear thermal expansion / 10 <sup>-6</sup> / 0 <sup>c</sup>	ISO 10545-8	Average value 6.6
Resistance to thermal shock	ISO 10545-9	Compliant
Resistance to freeze-thaw	ISO 10545-12	Compliant
Chemical resistance	ISO 10545-13	Class: from A to B
Stain resistance	ISO 10545-14	Class: from 4 to 5
Coefficient of friction	DIN 51130	R10
	BS 7976-2:2002 Pendulum	PTV 36+
Fire reaction	EN 13501 (rev. 2005)	A1 (decision 96/603/CE as amended)