

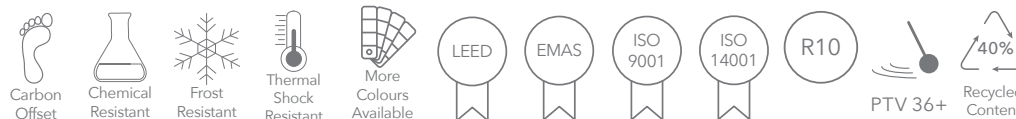
# VT.270

Our Cascade Range for Floor & Wall comes in hundreds of different designs, colours, slip ratings and finishes. Much of the range is accredited to rigorous eco-friendly standards (including LEED/BREEAM etc) to help specifiers meet the sustainability goals of their clients.



## Natural

### Properties



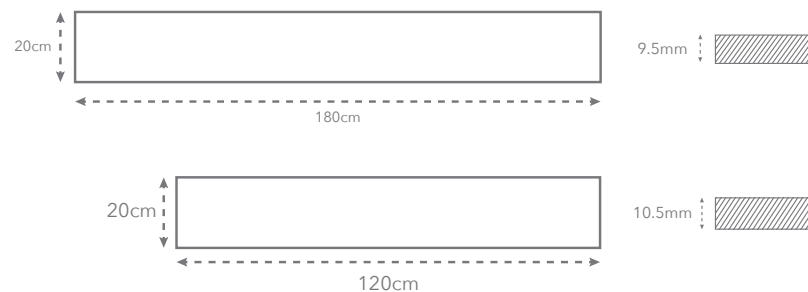
### Other formats available



Decor

### Other finishes available

### Sizes available



MOBILE SAMPLE LIBRARY REFERENCE



Wood Look  
High Slip  
Porcelain

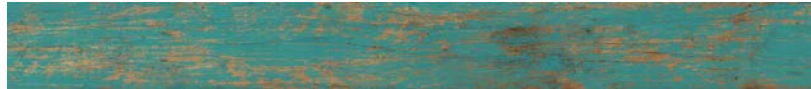
[www.ecofriendlytiles.co.uk](http://www.ecofriendlytiles.co.uk)



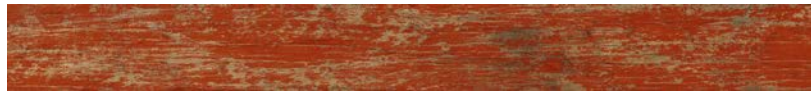
Eco Friendly Tiles Ltd  
Ground Floor, Solon House  
40a Peterborough Road  
London  
SW6 3BN  
0844 980 2233  
info@ecofriendlytiles.co.uk

# Accents

Product Codes VT.269 - VT.271 are available in coloured accents of blue, white and red that come in a variation of sizes. They are a rustic wooden slab that appears to have distressed paint over the top. Each base wood colour has the same variations allowing it to be matched with the base tile easily.



VT.270BLUE

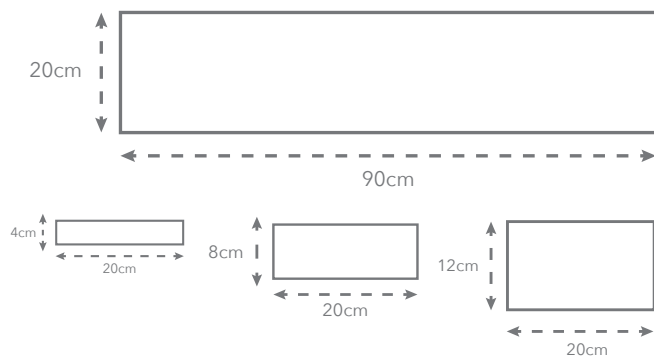


VT.270RED



VT.270WHITE

## Sizes Available:



# Technical Specification

## Code: VT.270



Eco Friendly Tiles Ltd  
 Ground Floor, Solon House  
 40a Peterborough Road  
 London  
 SW6 3BN  
 0844 980 2233  
 info@ecofriendlytiles.co.uk  
[www.ecofriendlytiles.co.uk](http://www.ecofriendlytiles.co.uk)

Physical & chemical properties	Norm/test method	Required Standard	Results
Thickness	EN ISO 10545-2	± 5.0% / ± 0.5mm	Compliant
Straightness of sides	EN ISO 10545-2	± 0.5% / ± 1.5mm	Compliant
Rectangularity	EN ISO 10545-2	± 0.6% / ± 2.0mm	Compliant
Warpage	EN ISO 10545-2	± 0.5% / ± 2.0mm	Compliant
Water absorption	EN ISO 10545-3	≤ 0.5%	≤ 0.05%
Flexion Resistance	EN ISO 10545-4	AR ≥ 35 N/mm <sup>2</sup>	≥ 50 N/mm <sup>2</sup>
Deep Abrasion Resistance	EN ISO 10545-6	≤ 175 mm <sup>3</sup>	145 mm <sup>3</sup>
Coefficient of Linear Thermal Expansion	EN ISO 10545-8	-	< 7*10 <sup>-6</sup> °C <sup>-1</sup>
Frost Resistance	EN ISO 10545-12	-	Resistant
Resistance to Chemicals	EN ISO 10545-13	UB Min.	LA, HA Resistant
Resistance to Stains	EN ISO 10545-14	Declared Value	5 Resist
Slip Resistance	DIN 51130	-	R10
	BS-7976-2:2002 Pendulum	-	PTV 36+

### Certifications



This technical information sheet is not a guarantee of performance and is not a warranty, either explicit or implicit. Rather, it tries to summarize for the designer, installer or developer the technical data provided to Eco Friendly Tiles by the independent tile manufacturer. This information may not be applicable in all geographical areas. It is the responsibility of those individuals who are referring to this document to independently research and determine which tiles are suitable for a given project according to applicable British or International Standards and any governing legislative requirements. This document cannot be used as expert opinion, evidence or in any legal or administrative procedure unless authorized by Eco Friendly Tiles Ltd.