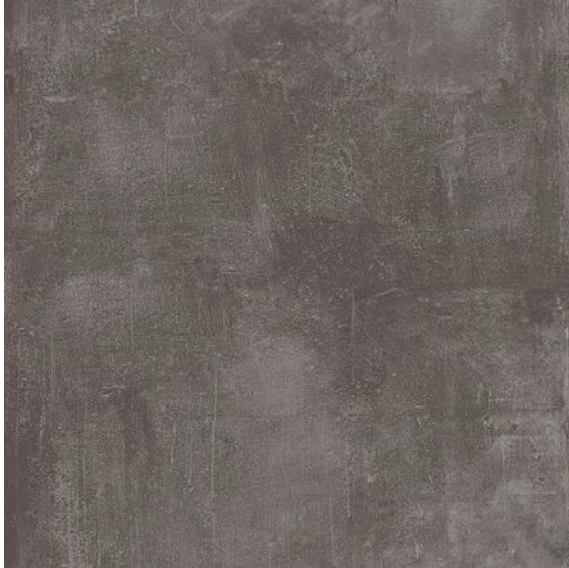


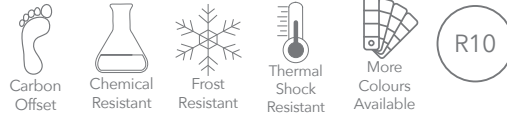
VT.336

Our Cascade Range for Floor & Wall comes in hundreds of different designs, colours, slip ratings and finishes. Much of the range is accredited to rigorous eco-friendly standards (including LEED/BREEAM etc) to help specifiers meet the sustainability goals of their clients.



Natural

Properties



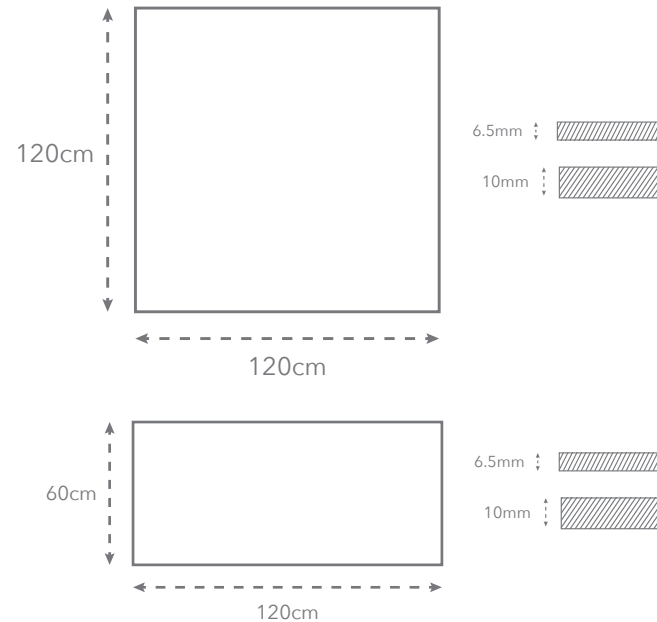
Other formats available



Mosaic

Other finishes

Sizes available



MOBILE SAMPLE LIBRARY REFERENCE



Concrete Look
High Slip
Porcelain



ECO FRIENDLY TILES®

The planet, covered

www.ecofriendlytiles.co.uk

Eco Friendly Tiles Ltd
Ground Floor, Solon House
40a Peterborough Road
London
SW6 3BN

0844 980 2233
info@ecofriendlytiles.co.uk

Technical Specification

Code: VT.336



Eco Friendly Tiles Ltd
 Ground Floor, Solon House
 40a Peterborough Road
 London
 SW6 3BN
 0844 980 2233
 info@ecofriendlytiles.co.uk
www.ecofriendlytiles.co.uk

Physical & chemical properties	Norm/test method	Required Standard	Results
Thickness	EN ISO 10545-2	± 5.0% / ± 0.5mm	± 3%
Straightness of sides	EN ISO 10545-2	± 0.5% / ± 1.5mm	± 0.6mm
Rectangularity	EN ISO 10545-2	± 0.6% / ± 2.0mm	± 2 mm
Length and Width	EN ISO 10545-2	± 0.6%	± 0.9mm
Water absorption	EN ISO 10545-3	≤ 0.5%	≤ 0.1%
Flexion Resistance	EN ISO 10545-4	AR ≥ 35 N/mm ²	≥ 50 N/mm ²
Resistance to Abrasion	EN ISO 10545-6	≤ 175 mm ³	≤ 145 mm ³
Resistance to Thermal Shocks	EN ISO 10545-9	Resistant	Resistant
Frost Resistance	EN ISO 10545-12	Resistant	Frost Proof
Resistance to Chemicals	EN ISO 10545-13	UB minimum	UA; ULA; UHA
Resistance to Staining	EN ISO 10545-14	Minimum Class 3	Class 5
Slip Resistance	DIN 51130	-	R10
	BS 7976-2:2002 Pendulum	-	-

Certifications



This technical information sheet is not a guarantee of performance and is not a warranty, either explicit or implicit. Rather, it tries to summarize for the designer, installer or developer the technical data provided to Eco Friendly Tiles by the independent tile manufacturer. This information may not be applicable in all geographical areas. It is the responsibility of those individuals who are referring to this document to independently research and determine which tiles are suitable for a given project according to applicable British or International Standards and any governing legislative requirements. This document cannot be used as expert opinion, evidence or in any legal or administrative procedure unless authorized by Eco Friendly Tiles Ltd.