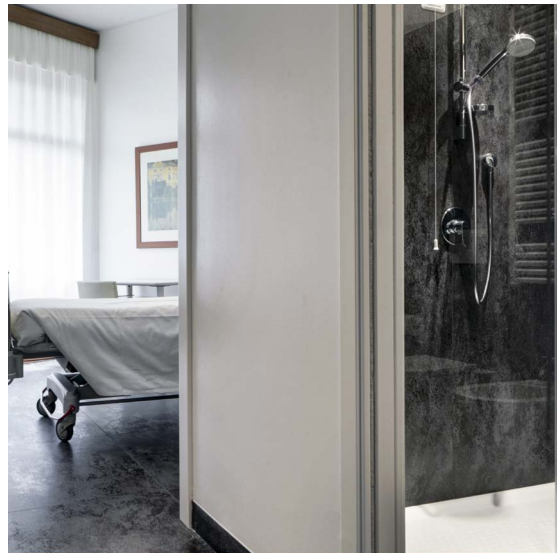


VS.40

Ultra-thin - from just 3.5mm - yet so strong it can be laid in 3m x 1m slabs on floors, walls or as an overlay. With low embodied carbon, up to 40% pre-consumer recycled content, flexible sizes and over one hundred colours and finishes, it's time to join the surface revolution. With a LEED and EPD certifications, it's a range perfectly in step with 21st century living.

To see the full range or download the Brochure, visit: www.ecofriendlytiles.co.uk/eco/surface-brochure



Natural

Properties



Carbon Offset



Chemical Resistant



Frost Resistant



Thermal Shock Resistant



More Colours Available



UP TO 40% Recycled Content

Other formats

Other finishes

Sizes available in

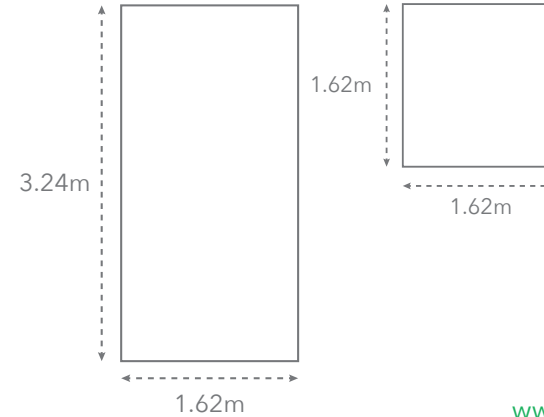
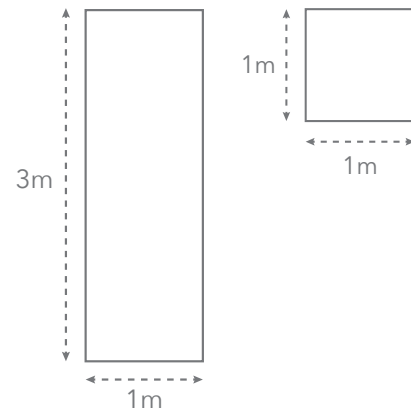
Sizes available in

3.5mm ↓  Wall (with mesh)

5.6mm ↓  Floor / Wall / Overlay

5.6mm ↓  Floor / Wall / Overlay

6mm ↓  Floor / Wall / Overlay (with mesh)



FOR OFFICE USE ONLY



Oxidised
Large Format
BREEAM/LEED



ECO FRIENDLY FACADES Facade Code: 040 Oxide Black
www.ecofriendlyfacades.co.uk



ECO FRIENDLY TILES®
The planet, covered

www.ecofriendlytiles.co.uk

Eco Friendly Tiles Ltd
Ground Floor, Solon House
40a Peterborough Road
London
SW6 3BN

0844 980 2233
info@ecofriendlytiles.co.uk
ecofriendlytiles.co.uk

Technical Specification

Code: VS.40



Eco Friendly Tiles Limited
Ground Floor, Solon House
40a Peterborough Road
London
SW6 3BN
0844 980 2233
info@ecofriendlytiles.co.uk
www.ecofriendlytiles.co.uk

Certifications



Physical & chemical properties	Norm/test method	Shannon 3.5mm
Straightness of sides	ISO 10545-2	Max. deviation on the side +/- 0.5mm
Flatness	ISO 10545-2	Max. deviation on the diagonal +/- 2.0mm
Weight	Factory	Average value 7.8kg/m ²
Surface quality/% of tiles with no visible flaws	ISO 10545-2	>95%
Water absorption	ISO 10545-3	<0.3%
	ASTM C373	Average value 0.1% (<0.3%)
Breaking load in N / samples 200x300mm	ISO 10545-4	-
Bending strength in N/mm ²	ISO 10454-4	Average value 50 (sample dimensions 200x300mm)
Mohs scale hardness	UNI EN 101	Class: from 5 to 7
Resistance to deep abrasion	ISO 10545-6	≤175mm ³
Coefficient of linear thermal expansion / 10 ⁻⁶ / 0C	ISO 10545-8	Average value 6.6
Resistance to thermal shock	ISO 10545-9	Resistant
Chemical resistance	ISO 10545-13	Class A to B
Stain resistance	ISO 10545-14	Class 4 to 5
Frost resistance	ISO 10545-12	Resistant
Shock resistance	ISO 10545-5	On demand
Coefficient of friction	ASTM C-1028	-
	DIN 51130	R9
	BS 7976-2:2002 Pendulum	-
Fire reaction	EN 13501 (rev. 2005)	A1 (decision 96/603/CE as amended)

This technical information sheet is not a guarantee of performance and is not a warranty, either explicit or implicit. Rather, it tries to summarize for the designer, installer or developer the technical data provided to Eco Friendly Tiles by the independent tile manufacturer. This information may not be applicable in all geographical areas. It is the responsibility of those individuals who are referring to this document to independently research and determine which tiles are suitable for a given project according to applicable British or International Standards and any governing legislative requirements. This document cannot be used as expert opinion, evidence or in any legal or administrative procedure unless authorized by Eco Friendly Tiles Ltd.

Technical Specification

Code: VS.40



Eco Friendly Tiles Limited
Ground Floor, Solon House
40a Peterborough Road
London
SW6 3BN
0844 980 2233
info@ecofriendlytiles.co.uk
www.ecofriendlytiles.co.uk

Certifications



Physical & chemical properties	Norm/test method	Shannon 5.6mm	Shannon 5+
Straightness of sides	ISO 10545-2	Max. deviation on the side +/- 0.5mm	Max. deviation on the side +/- 0.5mm
Flatness	ISO 10545-2	Max. deviation on the diagonal +/- 2.0mm	Max. deviation on the diagonal +/- 2.0mm
Weight	Factory	Average value 14kg/m ²	Average value 14.5kg/m ²
Surface quality/% of tiles with no visible flaws	ISO 10545-2	>95%	>95%
Water absorption	ISO 10545-3	<0.3%	<0.3%
	ASTM C373	Average value 0.1% (<0.3%)	Average value 0.1% (<0.3%)
Breaking load in N / samples 200x300mm	ISO 10545-4	Average value 1100	Average value 1100
Bending strength in N/mm ²	ISO 10454-4	Average value 50 (sample dimensions 200x300mm)	Average value 50 (sample dimensions 200x300mm)
Mohs scale hardness	UNI EN 101	Class 5 to 7	Class 5 to 7
Resistance to deep abrasion	ISO 10545-6	≤175mm ³	≤175mm ³
Coefficient of linear thermal expansion / 10 ⁻⁶ / 0C	ISO 10545-8	Average value 6.6	Average value 6.6
Resistance to thermal shock	ISO 10545-9	Resistant	Resistant
Chemical resistance	ISO 10545-13	Class A to B	Class A to B
Stain resistance	ISO 10545-14	Class 4 to 5	Class 4 to 5
Frost resistance	ISO 10545-12	Resistant	Resistant
Shock resistance	ISO 10545-5	On demand	On demand
Coefficient of friction	ASTM C-1028	-	-
	DIN 51130	R9	R9
	BS 7976-2:2002 Pendulum	-	-
Fire reaction	EN 13501 (rev. 2005)	A1 (decision 96/603/ce as amended)	A2 -s1, d0

This technical information sheet is not a guarantee of performance and is not a warranty, either explicit or implicit. Rather, it tries to summarize for the designer, installer or developer the technical data provided to Eco Friendly Tiles by the independent tile manufacturer. This information may not be applicable in all geographical areas. It is the responsibility of those individuals who are referring to this document to independently research and determine which tiles are suitable for a given project according to applicable British or International Standards and any governing legislative requirements. This document cannot be used as expert opinion, evidence or in any legal or administrative procedure unless authorized by Eco Friendly Tiles Ltd.